

EGT 130: Room-temperature transducer

How energy efficiency is improved

Measurement of room temperature for energy-efficient control of HVAC systems and monitoring energy consumption.

Areas of application

Temperature recording for heating and air-conditioning systems in dry rooms, e.g. residential, office and business premises.

Features

- Active measured value acquisition
- Cable inlet at rear
- Suitable for direct wall mounting
- Connection of an external Ni1000 temperature sensor possible

Technical description

- Nickel thin-film sensor as per DIN 43760
- Housing made of pure white flame-retardant thermoplastic (RAL 9010)
- Screw terminals for wire of up to 1.5 mm²



Y07508

Type	Range	Output	Power supply	Weight kg
EGT 130 F001	0...50 °C	0...10 V	24 V~/=	0,1
Power supply 24 ~/=	± 20%		Degree of protection	IP 30 (EN 60529)
Power consumption	1 VA		Wiring diagram	A07598
Output signal	0...10 V, load > 5 kΩ		Dimension drawing	M07634
Time constant	12 min		Fitting instructions	MV 505571
Permissible ambient temp.	0...50 °C			
Permissible amb. humidity	0...95 %rh			

Accessories

[0303124 000](#)* Recessed junction box

[0313347 001](#)* Intermediate cover plate for 76 × 76 mm

*) Dimension drawing or wiring diagram are available under the same number

Operation

The resistance of the nickel measuring resistor changes in relation to temperature. The temperature co-efficient is always positive, i.e. resistance increases as the temperature rises. The electronic system converts the change in resistance into a linear standard signal of 0...10 V. If required, an external Ni1000 temperature sensor can be connected.

Engineering and fitting notes

The temperature detector should not be exposed to direct sources of heat, the effects of radiation or draughts. At a temperature difference of 5 K between wall and air at a distance of approx. 1 m, there is a measurement error of 1 K.

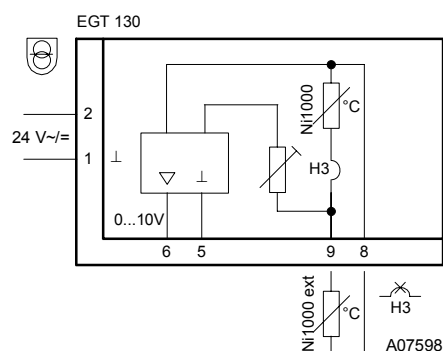
Additional technical data

Complies with:-

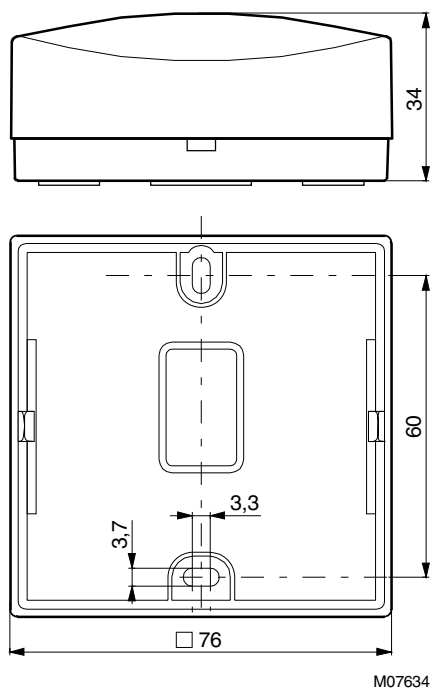
EMC directive 2004/108/EC

EN 61000-6-1/ EN 61000-6-3

Wiring diagram



Dimension drawing



Accessories

