

ecoUnit306: Push-button unit for room control unit

How energy efficiency is improved

Control of lights and window blinds for optimum energy usage in the room

Areas of application

Push-button unit used in conjunction with ecoUnit216...246 and ecoUnit310...346 to control lights, blinds, etc. by using ecos 2 and ecos 5 room controllers with communication capability

Features

- Part of the SAUTER EY-modulo 5 system family
- Push-button unit as a supplement to ecoUnit310...346 or ecoUnit216...246
- Many design and colour variations
- Lamp control, on/off/dimming
- Control of window blinds

Technical description

- Power supply from ecoUnit 3 or ecoUnit 2
- 2-wire connection
- 6 button functions



T10834

Products

Type	Description
EY-SU306F001	Push-button unit for 6 button functions

Technical data

Electrical supply

Power supply	From ecoUnit 3 or ecoUnit 2
--------------	-----------------------------

Version

Port	2-wire
Length (ecoUnit 2 or ecoUnit 3) ¹⁾	up to 30 m
Position LED	green

Permitted ambient conditions

Operating temperature	0...45 °C
Storage and transport temperature	-25...70 °C
Humidity	10...85% rh
	no condensation

Installation

Fitting	in single or double frame
Dimensions W × H × D (mm)	59.5 × 59.5 × 25
Weight (kg)	0.1

1) See wiring diagram

Standards, guidelines and directives

Type of protection	IP 30 (EN 60529)
Protection class	III (EN 60730-1)
Environmental class	IEC 60721 3K3
CE conformity as per	
EMC Directive 2004/108/EC	EN 61000-6-1
	EN 61000-6-2
	EN 61000-6-3
	EN 61000-6-4

Additional information

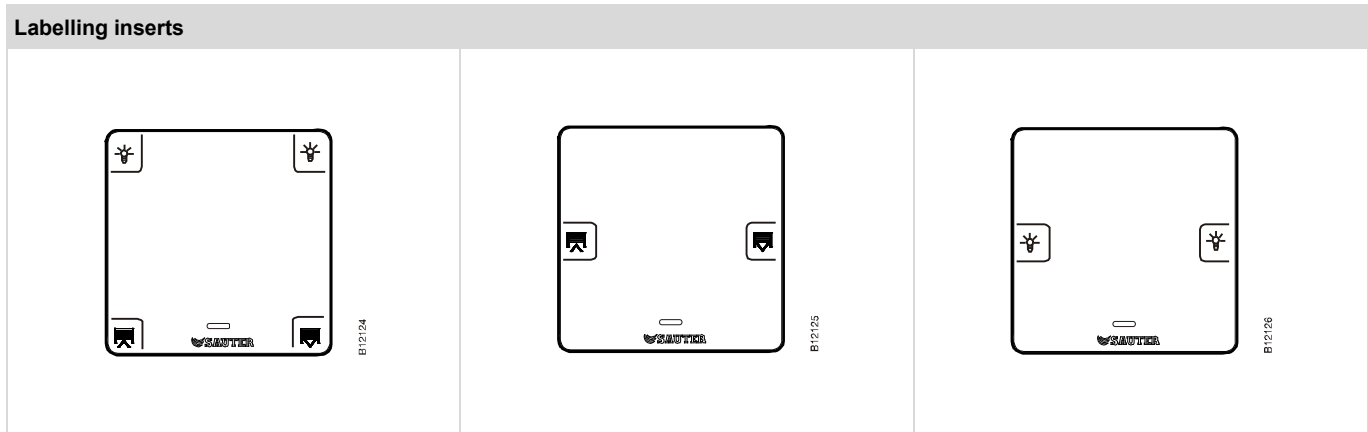
Fitting instructions	MV P100001963
Material declaration	MD 94.035
Dimension drawing	M10487
Wiring diagram	
ecos 2	A10528
	A10529
ecos 5	A10523

Accessories

Type	Description
	Fitting
0940240101	Frame, single, including fixing plate (for recessed junction box), 10 pieces
0940240201	Frame, double, including fixing plate (for recessed junction box), 10 pieces
0940240301	Base, single (for wall mounting), 10 pieces
0940240401	Base, double (for wall mounting), 10 pieces
0940240501	Cable plate, single (for surface cable feed), 10 pieces
0940240601	Cable plate, double (for surface cable feed), 10 pieces
0940240701	Fixing plate, single (for non-Sauter frame), 10 pieces
0940240801	Fixing plate, double, 10 pieces
0949241301	Cover, transparent, single, 10 pieces

Front view and labelling inserts

The following labelling inserts are included in the scope of delivery:



Engineering notes

Fitting

Room control units EY-RU216...246/EY-RU310...346 with EY-SU306 are suitable for various fitting methods.

EY-SU306 is fitted with a 2-wire connection to EY-RU310...346 or EY-RU216...246 and can be used only in conjunction with this device.

EY-SU306 can also be installed up to 30 m (total cable length) from the ecoUnit 2 or ecoUnit 3

Note

The mounting plate is screwed onto a recessed junction box. The device insert is placed on the frame and connected to the mounting plate by being pressed in.

Details on the recessed junction boxes can be found in the fitting instructions of the above-mentioned frame (accessories 0940240101 and 0940240201)

Single mounting (1 device)

Type of mounting	Recessed junction box	Accessories	Designation / scope of delivery
Recessed junction box	Suitable types, e.g.: D: Manufacturer: Kaiser CH: Manufacturer: AGRO F: Manufacturer: Legrand	0940240101	Frame, single, including fixing plate. (packaging unit of 10 pieces)
Wall	If necessary	0940240301	Base, single (packaging unit of 10 pieces)
Wall, with surface cable feed	None	0940240501	Cable plate, single (packaging unit of 10 pieces)
Recessed junction box with non-Sauter frame	Suitable types, e.g.: D: Manufacturer: Kaiser CH: Manufacturer: AGRO F: Manufacturer: Legrand	0940240701	Fixing plate, single (packaging unit of 10 pieces)

Double fittings (2 devices, one beneath the other, in conjunction with EY-RU210...216, EY-RU310...316)

Type of mounting	Recessed junction box	Accessories	Designation / scope of delivery
Recessed junction box	Suitable types, e.g.: D: Manufacturer: Kaiser CH: Manufacturer: AGRO F: Manufacturer: Legrand	0940240201	Frame, double, including fixing plate (packaging unit of 10 pcs.)
Wall	If necessary	0940240401	Base, double (packaging unit of 10 pcs.)
Wall, with surface cable feed	None	0940240601	Cable plate, double (packaging unit of 10 pcs.)
Recessed junction box with non-Sauter frame	Suitable types, e.g.: D: Manufacturer: Kaiser	0940240701	Fixing plate, single (packaging unit of 10 pcs.) 2 fixing plates, one beneath the other

Use of different frames

As the device insert is separate from the frame, there are many different possibilities for the type of mounting and choice of frame. This flexibility is implemented by the choice of the relevant accessories.

0940240101 Frame, single, incl. fixing plate

0940240201 Frame, double, incl. fixing plate

Same as single frame. However, this enables two devices to be mounted below or next to each other.

0940240301 Base, single

The base can be screwed directly onto the wall. In this case, the cable feed also comes out of the wall, from behind. The device insert is fitted onto the base by pressing it in.

0940240401 Base, double

Same as single frame. However, this enables two devices to be mounted below or next to each other.

0940240501 Cable plate, single

0940240601 Cable plate, double

EY-SU306

If the cable feed to the base is installed on the surface, this accessory is fitted under the base. The cable plate can be broken open at various points to feed the cable in.

0940240701 Fixing plate, single

0940240801 Fixing plate, double

An appropriate fixing plate must be used in conjunction with non-Sauter frames, e.g. frames made by light switch manufacturers. The fixing plate is screwed onto a recessed junction box. The device insert is placed on the frame and connected to the fixing plate by pressing it in.

Addressing

EY-SU306 is always connected to EY-RU310...346 or EY-RU216...346 and can only be used in conjunction with this device. It does not need its own device addressing.

Use with EY-modulo 2

The push-buttons are made available as an analogue signal on the MFA 08 for further processing in the ecos 2. Additionally, the two middle buttons are also connected to the MFA 58 / MFA 59.

Details can be referenced from the product data sheets (PDS) for ecoUnit216 and ecoUnit241...246.

Use with EY-modulo 5

The push-buttons are made available via the firmware component "ROOM_UNIT" for further processing in the ecos 5.

Details can be referenced from the product data sheet (PDS) for ecoUnit 3.

Application

Using multiple switching units

Up to two EY-SU306 can be switched in parallel. Only one button is evaluated at any time. If buttons are pressed simultaneously on different EY-SU306 units, the value set in the ecoUnit 2 or ecoUnit 3 is "no button pressed".

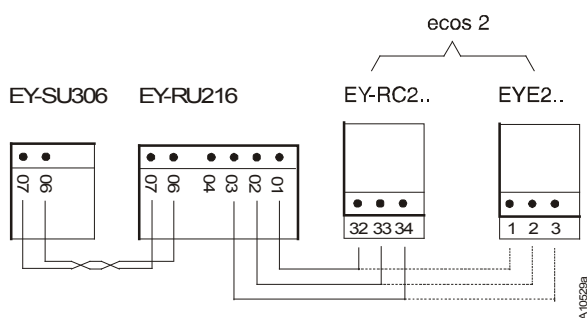
Position LED

EY-SU306 makes it possible to switch light strips. Depending on the project, it may be necessary to find the light switches easily even if the room is in darkness.

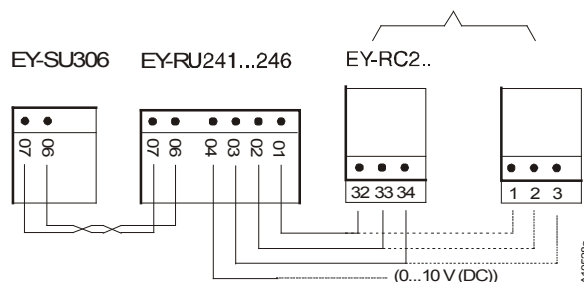
The LED can be permanently disabled by changing the poles on terminals 6 and 7.

Wiring diagram

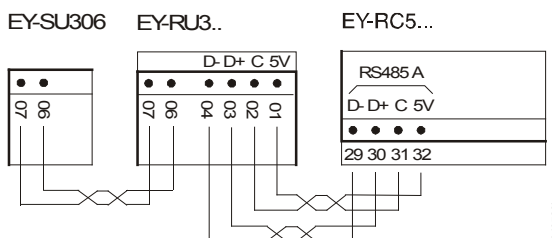
Connection in conjunction with ecos 2



Connection in conjunction with ecos 2



Connection in conjunction with ecos 5



If compliance with the industrial standard (EN 61000-6-2) is mandatory, the connecting cables must be < 30 m. The noise immunity of the devices is increased if twisted wires are used.

Dimension drawing

