

YYO300: novaNet, OPC Server

How energy efficiency is improved

SAUTER EY-modulo 2 – with technology that has proven itself a thousand times over, this new design can be integrated with the standard OPC interface into any visualisation and energy management system.

Areas of use

The novaNet OPC Server for EY-modulo 2 and EY3600 is driver software with the standardised OPC interface (OPC = OLE for Process Control) for easy integration of SAUTER novaNet stations into visualisation software (SCADA, HMI) with OPC client functionality.

Features

- Integration of novaNet stations of the EY-modulo 2 and EY3600 range
- novaNet bus access with the devices
 - a. novaNet291 router as a direct connection or via modem for remote connection
 - b. moduNet292 novaNet Ethernet interface
- Data exchange for status, commands, measured values, setpoints
- Retrieval of historical data
- Display and setting of time programmes and the calendar in the stations (ActiveX components)

Technical description

- Windows operating systems:
 - Windows XP Prof., Windows 7 (32- and 64-bit), Windows Server 2008
- OPC specification: conforms to OPC Data Access 2.0 (OPC DA 2.0)
- PC interfaces:
 - EIA-232 (COM interface for novaNet291/router)
 - EIA-232/Modem (modem interface for for dial-up operation with novaNet291/router)
 - Ethernet (via 'novaVPort' driver for moduNet292)
- Requirements: Visualisation software with OPC client function and optional support for ActiveX



T110864

Products

Type	Description
YYO300F010	novaNet OPC Server, for EY-modulo 2 and EY3600 (incl. USB key/dongle)
YYO300F099	novaNet OPC Server, for EY-modulo 2 and EY3600 (software CD only, without USB key/dongle)

Accessories

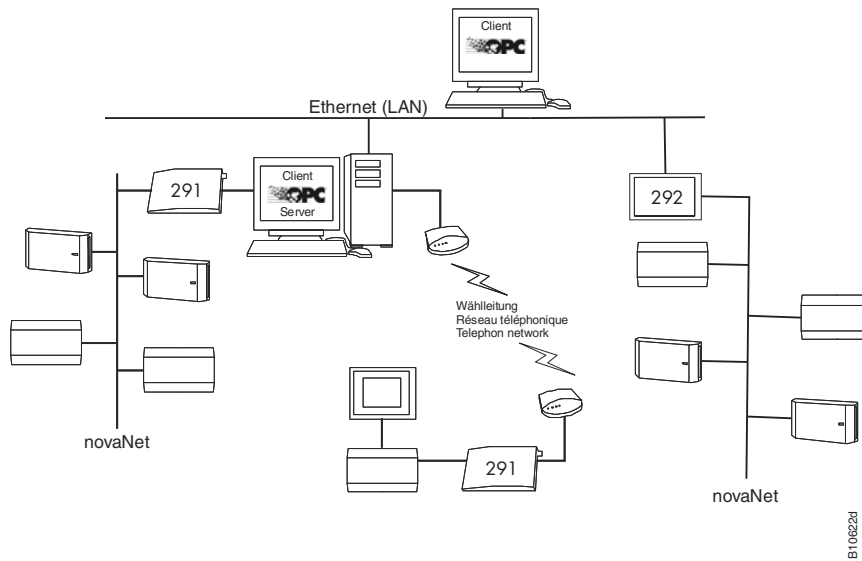
Type	Description
EYZ291F001 / 5	novaNet291 router; see PDS 96.691
EY-BU292F001 / 2	moduNet292 novaNet Ethernet interface; see PDS 96.015

Engineering notes

- The novaNet OPC Server fulfils the OPC DA 2.0 specifications and also works as a remote OPC server via DCOM. It can be used only as "OutProc" server.
- A novaNet OPC server can have up to sixteen novaNet291 routers each connected direct to one serial port.
- A novaNet OPC Server can operate up to six moduNet292 novaNet Ethernet interfaces via 'novaVPort'.
- With regard to modem connections, there is no restriction on the number of EY3600 novaNet islands.
- The EY3600 novaNet specifications that are generally in use are applicable.

Topology

The following diagram shows a possible system topology with a novaNet OPC Server



The novaNet OPC Server is independent of the Windows operating system language. Any code words used to parameterise the novaNet OPC Server are in English and are explained in the manual. The driver software is license-protected with a USB dongle. The ActiveX components for the time programme are available in German, English and French.

The novaNet OPC Server can be used with OPC clients specified according to OPC DA 2.0 (such as Panorama 7 or 8, Panorama E², iFix or PCVue 32). Fr. Sauter AG recommends the use of the 'native' novaNet driver with novaPro Open.

Further information can be found in the 'novaNet OPC Server' manual (7001063 001).

Additional technical specifications

Requirements

Processor	Intel Pentium III 450 MHz or higher
RAM	256 MB (512 MB recommended)
Hard disk	min. 5 GB (installed software approx. 13 MB)
CD drive	for the installation
Ports	1 mouse
	1 RS-232 serial interface
	1 network connection
	1 USB port for licence dongle
Operating system	V2.2.0.13 and higher: Windows XP Professional, Windows Server 2008, Windows 7 (32- and 64-bit) Up to V2.2.0.11: Windows 2000, XP Prof., Server 2000/2003
Application software	OPC client software with (optional) ActiveX Container functionality